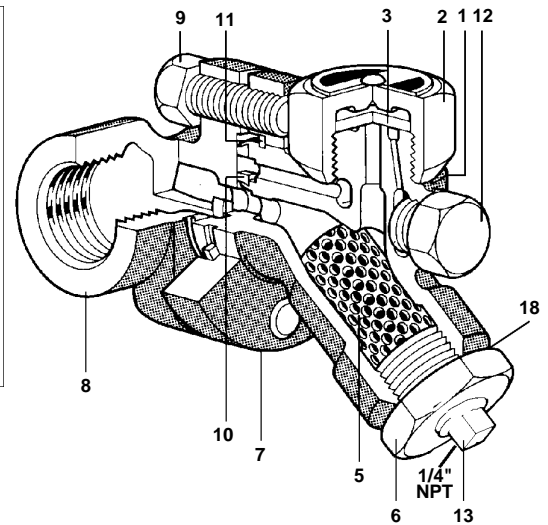


spirax sarco®

Thermo-Dynamic® Steam Trap UTD30L & UTD30H with Swivel Connector

The Thermo-Dynamic® steam trap cycles periodically to discharge condensate very near to steam temperature. It is unaffected by waterhammer or superheat. The UTD is a unique solution to maintain the disc in the horizontal plane by means of a swivel connector. The trap is easily replaced or removed for servicing without disturbing the pipe connections.

Model ⇄	UTD30L & UTD30H
PMO	450 psig
Sizes	1/2", 3/4" & 1"
Connections	NPT
Construction	Stainless Steel
Options	Carbon Steel Connector SW connections Insulcap, Blowdown Valve



LIMITING OPERATING CONDITIONS

Max. Operating Pressure (PMO) 450 psig (31 barg)

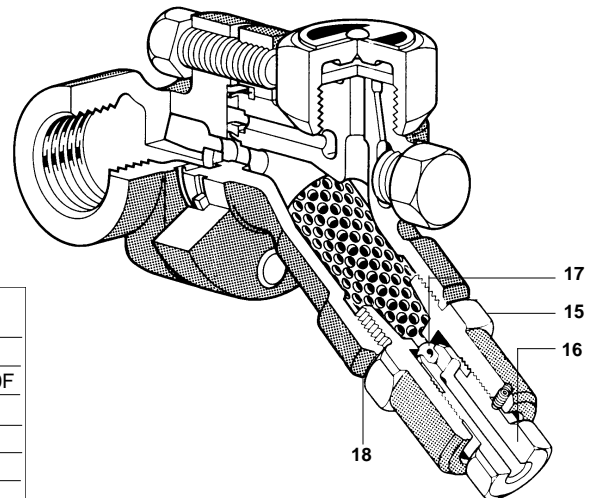
Max. Operating Temperature 660°F at 450 psig (349°C at 31 barg)
752°F (400°C) at operating pressures
below 400 psig (28 barg)

*Minimum Pressure for Satisfactory Operation is 3.5 psi, 0.24 barg.
Maximum Back Pressure should not exceed 80% of the upstream pressure.*

PRESSURE SHELL DESIGN CONDITIONS

PMA 720 psig/up to 100°F 50 barg/up to 38°C
Max. allowable pressure 450 psig/460-750°F 31 barg/238-400°C

TMA 752°F/0-450 psig 400°C/0-31 barg
Max. allowable temperature



CONSTRUCTION MATERIALS

No.	Part	Material	
1	Body	Stainless Steel (with ENP)	ASTM A743 Gr CA 40F
2	Cap	Stainless Steel	AISI 416
3	Disc	Stainless Steel	AISI 420
5	Strainer Screen	Stainless Steel	AISI304
6	Strainer Cap	Stainless Steel	AISI 416
7	Flange	Alloy Steel	ASTM A322 Gr 4130
8	Connector	Stainless Steel	ASTM A351 CF8
9	Connector Screw	Steel	ASTM A193 B7
10	Inner Gasket	Stainless Steel & filler (non-asbestos)	AISI 304 Strip
11	Outer Gasket	Stainless Steel & filler (non-asbestos)	AISI 304 Strip
12	Plug	Stainless Steel	ASTM A582 416
13	Blowdown Plug	Forged Steel	ASTM A105
14	Insulcap (optional)	Aluminum	
15	Blowdown Cap	Stainless Steel	ASTM A582 416
16	Blowdown Screw	Stainless Steel	ASTM A276 431
17	Blowdown Valve	Stainless Steel	AISI 440 B
18	Strainer Cap Gasket	Stainless Steel	BS 1449 304 S16

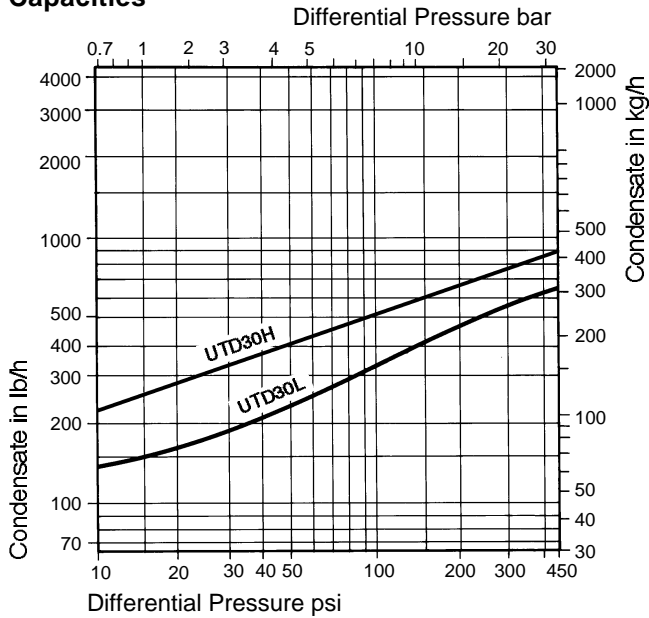
TYPICAL APPLICATIONS

Steam main drainage and steam tracing.

Thermo-Dynamic® Steam Trap

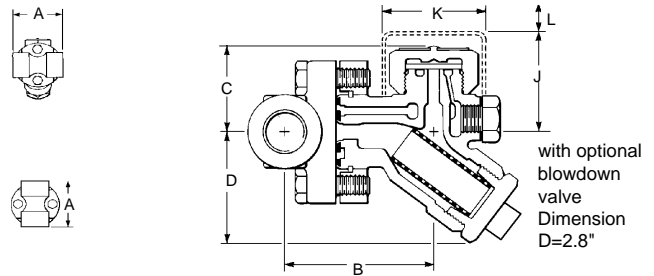
UTD30L & UTD30H with Swivel Connector

Capacities



DIMENSIONS (NOMINAL) IN INCHES AND MILLIMETERS

Size	A	B	C	D	J	K	L	Weight
1/2"	2.4 61.5	2.7 69	1.6 40.5	2.1 55	2.3 57	2.3 57	1.5 38	3.7 lb 1.7 kg
3/4"	2.8 72	2.6 67	1.6 40.5	2.1 55	2.3 57	2.3 57	1.5 38	3.9 lb 1.8 kg
1"	3.5 90	2.8 70	1.6 40.5	2.1 55	2.3 57	2.3 57	1.5 38	4.0 lb 1.8 kg



SAMPLE SPECIFICATION

Steam trap shall be supplied with a pipeline connector which, once installed, remains in the line permanently. Trap shall be attached to the connector by two bolts to enable simple and rapid installation and replacement. The connection is designed to allow installation on pipework that is vertical, horizontal, or any angle in between. The trap itself shall be thermodynamic disc type of stainless steel construction and integral seat design with hardened disc and seating surface, and integral "Y" pattern strainer. Operation shall be on/off discharge with tight shut off and no bleed or "controlled" leak, with back pressures up to 80% of inlet pressure. When specified, trap to be provided with integral blowdown valve and/or insulcap for use outdoors.

INSTALLATION

The connector can be installed in horizontal or vertical lines. The connector face must be in a vertical plane. The trap should be fitted to the connector with its cap uppermost. Full-port isolating valves should be installed upstream and downstream of the connector.

MAINTENANCE

The trap can be removed for repair or replacement without disturbing the connector piping connections. Complete isolation of the connector from both supply and return line is required before the trap is removed.

The trap should be removed from the connector and disassembled periodically for cleaning of the strainer screen and inspection and cleaning of the disc and seat.

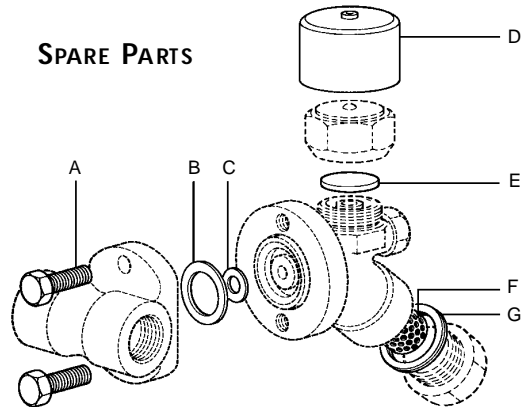
Complete installation and maintenance instructions are given in the IMI sheet, which accompanies the product.

OPTIONS

Blowdown Valve – When the blowdown valve is opened, loose material collected by the strainer is blown to atmosphere. Because a wrench is used to open the valve, the operator is clear of the blowdown stream. A locked set screw prevents the valve from disengaging from the blowdown cap.

Insulcap – The insulcap is a friction-fit cover designed to reduce the effect of excessive heat loss resulting from low ambient temperatures, wind, rain, etc. Available as a spare part.

SPARE PARTS



Connector Screw & Gasket Set	A, B, C
Insulcap	D
Packet of 3 discs	E
Strainer Screen	F
Strainer Cap Gasket	G

Available spare parts are shown in heavy outline. Parts drawn in broken line are not supplied as spares.

TIS 2.517 US 02.97